

E50

Compact Electric Elevator

THE MOST AFFORDABLE HOME ELEVATOR



The new E50 is designed to be the most affordable and easily incorporated home elevator in North America, all while saving you money.

COMPACT MRL FOOTPRINT

Tight 50"x50" hoistway and no machine space required grants more room for living.

AUTOMATIC CAB DOORS

Powered bi-fold cab doors with soft opening.

FULLY-FINISHED INTERIOR

Numerous move-in ready melamine cab finish options.

REDUCED HOISTWAY COST

No continuous rail support wall required.

CAMBRIDGE
E L E V A T I N G



Capacity of
500 lbs.



Uses 50% Less
Power Than Other
Industry Models



Battery Backup:
Lowering &
Lighting



35 ft Travel
Distance and
2-4 Stops

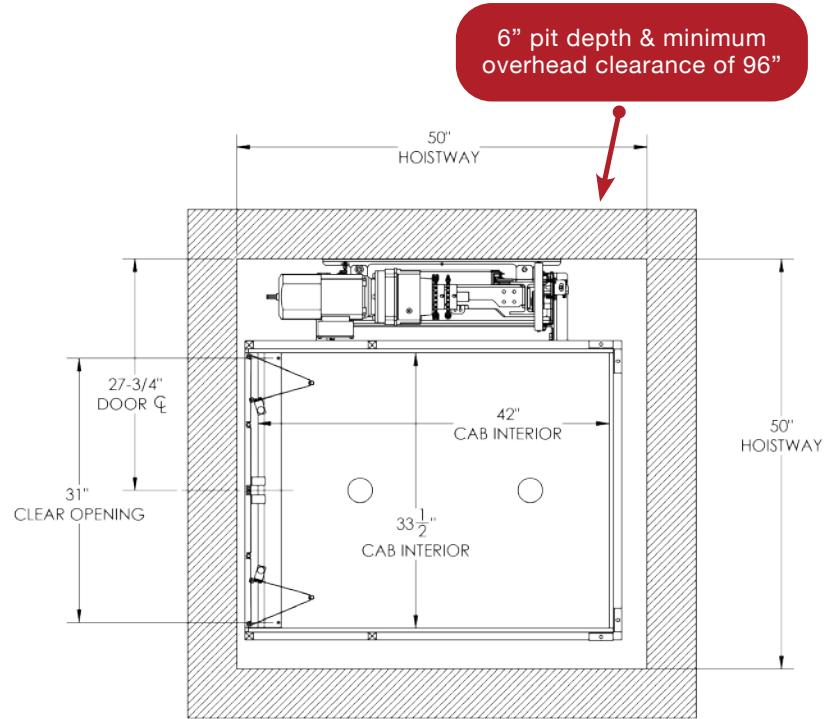


35 ft/min
Travel Speed

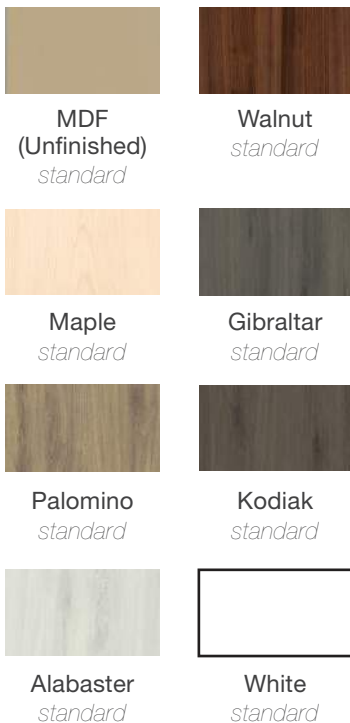
E50 SPECS & FINISHES

A sleek, stylish and seamlessly integrated residential lift solution that includes:

- Touch-and-go operation
- Car operating panel with position indicator and built-in telephone
- Dual-illuminated push buttons in car and each call station
- Cushioned roller wheels for a soft, comfortable ride
- Automatic elevator homing/parking
- 24-month limited warranty
- Meets all ASME A17.1/CSA B44 national codes for elevator safety



CAB FINISHES



ELEVATOR FIXTURES



Ceiling finish is white for any melamine cab wall selection. MDF cabs receive a matching MDF ceiling, to be painted by others.