

WE'RE THE COMPANY THAT BRINGS YOU KEVIN...



AND KEVIN BRINGS YOU THE PRISM MEDICAL C-SERIES

The lifts that make up Prism Medical's C-Series deliver innovation, affordability and quality. Ceiling lifts dramatically reduce injuries resulting from the handling of patients/residents in both institutional and homecare settings. The C-Series has been designed with a full set of standard features and can be safely operated by a single caregiver. Built for quiet operation, the C-Series provides a smooth and effortless transfer which safely enhances the working conditions of caregivers. At the press of a button, the C-Series will lift up to a maximum of 625 lb. (283 kgs) allowing maximum flexibility in the type of patients that can be transferred. For additional flexibility, powered traversing options can be included.

PRISM MEDICAL

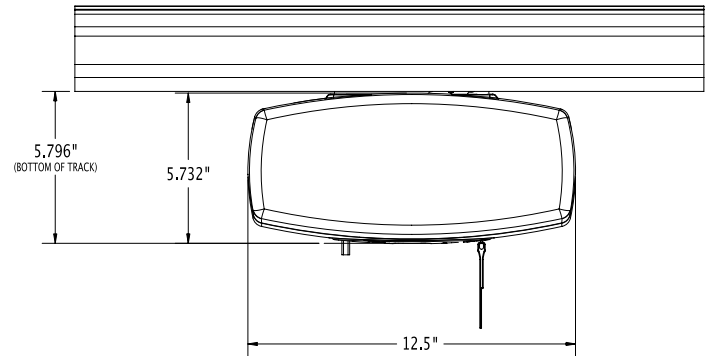
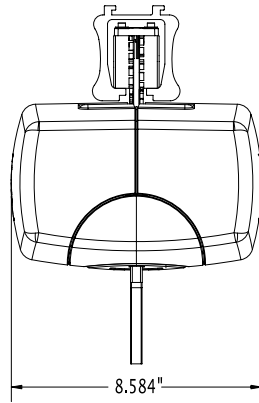
Prism Medical

45 Progress Parkway, Maryland Heights, MO USA 63043 | T 314.692.9135 | 1.866.891.6502

www.prismmedicalinc.com

PRISM MEDICAL C-Series

CEILING LIFT



WE'RE THE COMPANY THAT BRINGS YOU GREAT THINGS IN SMALL PACKAGES.

Incredibly compact but powerful, the C-Series looks good in any setting. With innovative features like a digital display and programmability, a host of standard safety features, and a modular design that allows for easy preventative maintenance, the C-Series lifts are the most advanced ceiling lifts available.

PRODUCT HIGHLIGHTS

- Smallest lift of its class which allows for at least 7" (18 cm) of additional lifting height
- Quick lifting speed to reduce patient transfer times
- Modular design for simplified maintenance
- Quick change batteries for reduced service time
- Audible low battery indicator and visual battery/charge level display
- Digital display that indicates number of lifts, battery levels, and lift status.
- Auto shut-off when not in use to conserve battery life
- 7.5' (2.2 m) foot strap vertical movement allows you to easily lift from the floor
- Emergency stop and emergency power lowering on lift
- Emergency manual raising or lowering
- Available with Return to Charge option

TECHNICAL SPECIFICATIONS

- Lift Motor: 24VDC
- Traverse Motor: 24VDC
- Charger Input: 120 VAC, 1.0 Amps
- Charger Output: 24 VDC, 1.5 Amps
- Batteries: 24 VDC (2 x 12VDC), 5.0 AH
- Lift case: Flame retardant ABS
- Hand Control: Pneumatic
- Lifting Height: Up to 84" (213 cm)
- Unit Weight: under 22 lb. (10 kgs)
- Maximum Load for the C-450 is 450 lb. (204 kgs), the C-625 is 625 lb. (283 kgs)

PRISM MEDICAL



Prism Medical
45 Progress Parkway, Maryland Heights, MO USA 63043 | T 314.692.9135 | 1.866.891.6502
www.prismmedicalinc.com

For Your Convenience

